

Specification for approval

Description(产品类型):	Transformer
Customer p/n(客户):	
ZETTLER p/n(赛特勒):	XZM-E22299-H
Revision(版本号):	PD1.0
Page(页数):	5

Drafted(制作): Jiansheng Lin

Checked(审核):Chaolu Chen

Approved(确认): Zongnian He



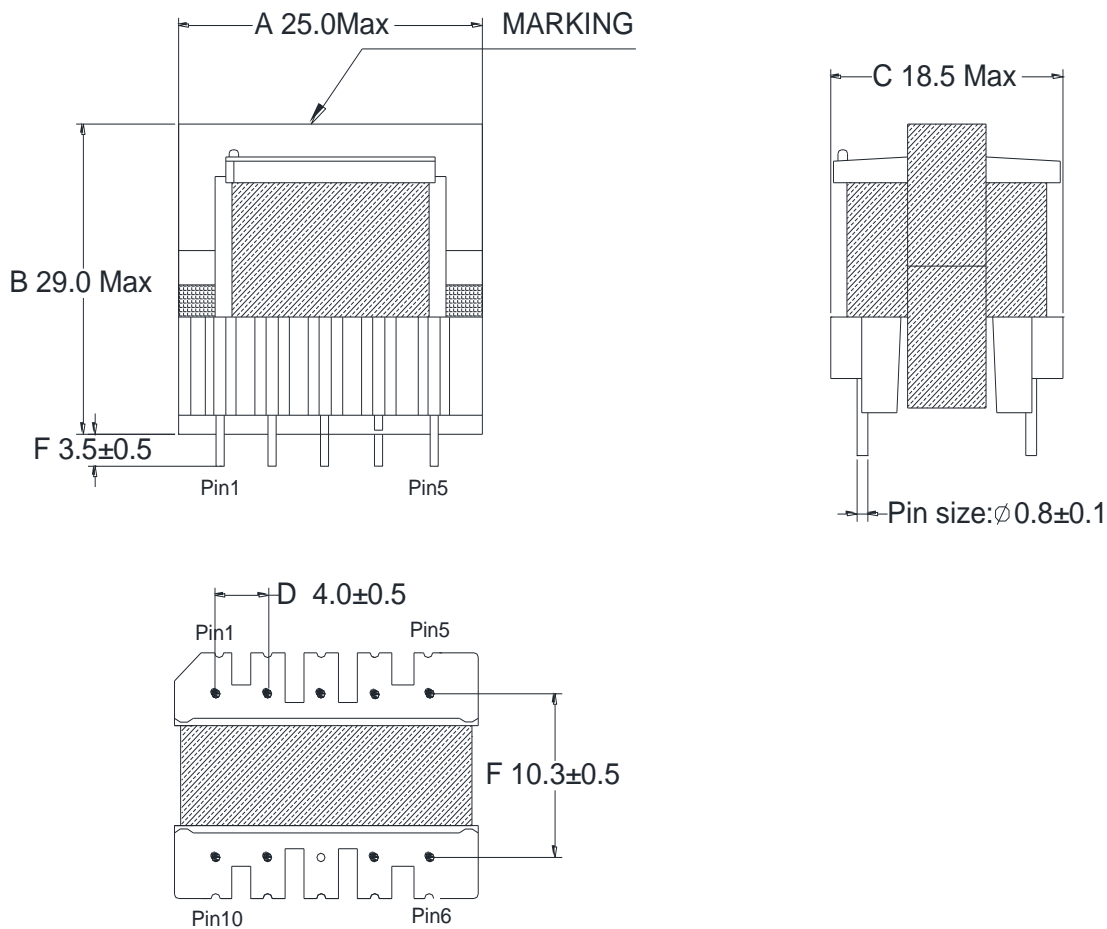
PD1.0	2025/2/12	Initial release 新建项目	Linjs
Rev.	Date	Description	Changed

Approved by Customer (客户确认) : _____

Friendly Reminder: Please help to sign this Spec when approve , and fax to our company .Or else, we will consider you have accepted it and make future order based on this Spec.

友情提示:请在签字确认后,按封面的传真号码回传给赛特勒磁电有限公司.如无回传,则视为默认,后续的相关订单将以按本承认书的规定为技术要求.

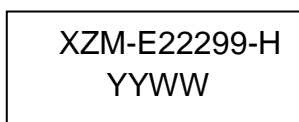
1. OUTLINE DRAWING(外形图):UNIT(单位): mm



Notes(注):

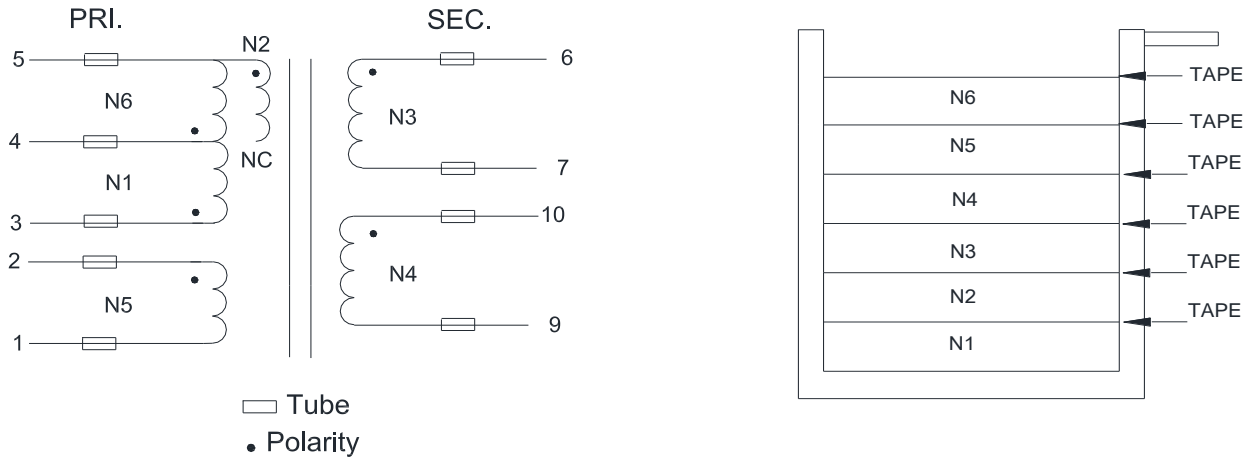
- ◆ PCB drill hole is recommended to be 1.3mm; (建议 PCB 开孔孔径为 1.3mm)
- ◆ If PIN layout and footprint have slightly deviation, please refer to actual PCB assembly ,the ones can be normally inserted into PCB is qualified . (PIN 距、排距尺寸测量有偏差时,以 PCB 下板实装确认,可正常下板为合格)
- ◆ The Pin length doesn't include the solder tip (PIN 脚长度不包括锡尖)

2. MARKING (标签图)



YY:Year/年
WW:Week/周

3. SCHEMATIC & WINDING STRUCTURE (原理图&绕线结构):



4. WINDING SPECIFICATION (绕线规格)

NO. 顺序	winding 绕 组	start 起线	end 收 线	Wire 线材	Number 圈数	Tape type and turns 胶带类型与圈数	NOTE 备注
1	N1	3	4	2UEW ϕ 0.25mm	54Ts	(3M1318)/ 2.0Ts	
2	N2	5	NC	2UEW ϕ 0.18mm	40Ts (ref.)	(3M1318)/ 2.0Ts	
3	N3	6	7	OLTIW-B ϕ 0.35mm	14Ts	(3M1318)/ 2.0Ts	
4	N4	10	9	OLTIW-B ϕ 0.50mm	9TS	(3M1318)/ 2.0Ts	
5	N5	2	1	2UEW ϕ 0.18mm*2	10Ts	(3M1318)/ 2.0Ts	
6	N6	4	5	2UEW ϕ 0.25mm	26Ts	(3M1318)/ 3.0Ts	

5. ELECTRICAL SPECIFICATION(电气特性测试):

TEST TEMPERATURE(测试温度)@25±2℃:

Item 项目	Terminal 端子	Specification 规格值	Test condition 测试条件
Inductance 电感量	3--5	1.23mH±10%	120KHz,0.4V,SER
Leakage inductance 漏电感	3--5 (其他短路)	30 uH MAX	120KHz,0.4V,SER
DCR 直流电阻(Ω)	2--1	250 mΩMAX	Ta=25° C
	3--5	1.35 ΩMAX	
	6--7	150 mΩMAX	
	10--9	50 mΩMAX	
Polarity & turns ratio 极性和圈数比	N1+N6:N3:N4:N5	80:14:9:10	10KHz,1.0V
HI-POT Voltage 耐压	N1,N2,N5,N6—N3,N4	AC 3.75KV	50/60Hz,5mA,1min
	N1,N2,N3,N4,N5,N6--CORE	AC 1.5KV	

Note(注):

Operating temperature range (操作温度范围): -25~+120℃ (include self-rise)

Storage temperature range(保存温度范围): -25~+85℃

7. BOM (材料表)

NO. 序号	MATERIAL TYPE 材料名称	DESCRIPTION 规格描述	MANUFACTURER 供应商	UL/file No UL 编号
1	BOBBIN 骨架	T375HF PM-9820/PM-9630	Chang Chun Plastics Co.,LTD SUMITOMO BAKELITE CO.,LTD	E59481 E41429
2	CORE 磁芯	ZP44/SP4 or equal	ZHONGXIN SANLIN	NA
3	TAPE 胶带	CT*(c)(g) 1318-1(a)	JINGJIANG YAHUA PRESSURE SENSITIVE GLUE CO LTD 3M COMPANY ELECTRICAL MARKETS DIV (EMD)	E165111 E17385
4	UEW Enameled Copper Wire UEW 漆包线	TYA1-U155 xUEW/155 xUEW/155	HENG YA ELECTRIC (DONGGUAN) LTD BAIYIN YIZHI CHANGTONG SUPER MICRO-WIRE CO LTD NINGBO XINJIAN ELECTRONIC INDUSTRIAL CO LTD	E197768 E363385 E197317
5	VARNISH 绝缘漆	AC-43 T-4260(a)	JOHN C DOLPH CO.,LTD SUZHOU TAIHU ELECTRIC ADVANCED MATERIAL CO.,LTD	E317427 E228349
6	TUBE 套管	WF TFT	SHENZHEN WOER HEAT-SHRINKABLE MATERIAL CO LTD GREAT HOLDING INDUSTRIAL CO LTD	E203950 E156256
7	TRIPLE INSULATED WIRE 三层绝缘线	TEX-E OLTIW-B* or equal	FURUAKWA ELECTRIC CO.,LTD ; WUHU OULY ELECTRONICS CO.,LTD	E206440 E466302