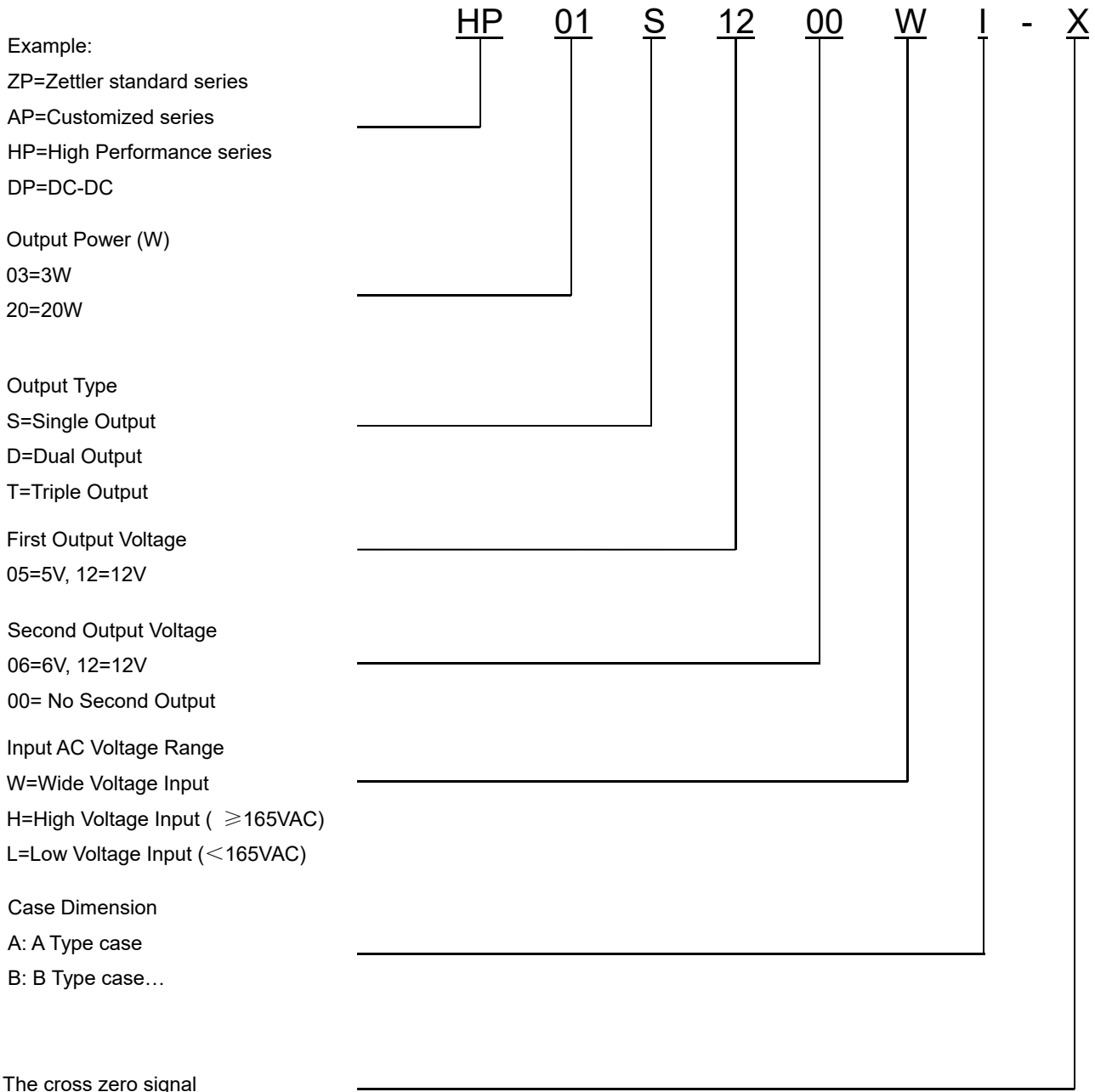



RoHS



ORDERING CODE



FEATURES (产品特点)

- PCB mounted switching Power module
- AC input voltage range: 85VAC~305VAC
- DC input voltage range: 100VDC~430VDC
- Ambient temperature range: -25°C~85°C
- Storage temperature range: -40°C~105°C
- Leakage current (Input :305VAC): <0.3mA
- Isolation voltage: Input –Output ≥3000VAC 60S
- Insulation Resistance: Input –Output 500VDC ≥100M Ohms
- MTBF:1000Khrs Min MIL-HDBK-217F (25°C)
- Compact size, easy installation
- High efficiency Low standby power consumption <0.3W, environment-friendly
- Built-in output over current protection, over-voltage protection, short circuit protection
- Built-in EMI filter components, comply with the EN55032 class B standard
- Class II Construction 

APPLICATIONS (应用)

This series could be widely applied in the LED, light control, Instrument, smart home and other home appliances.

NOTE: Contact Zettler for information on halogen free options

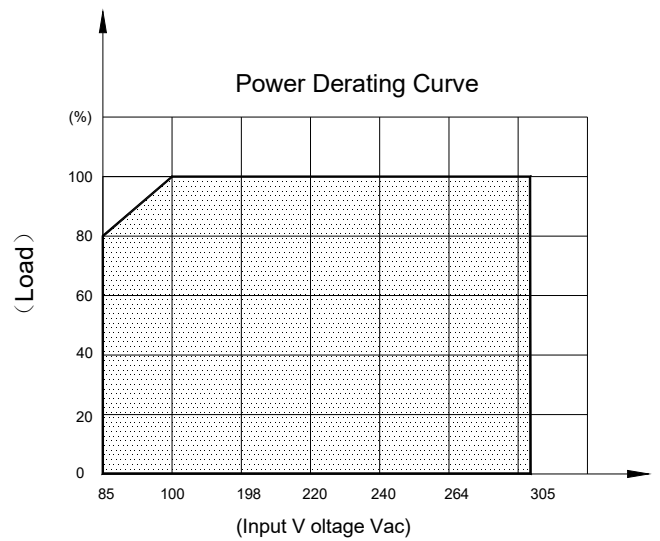
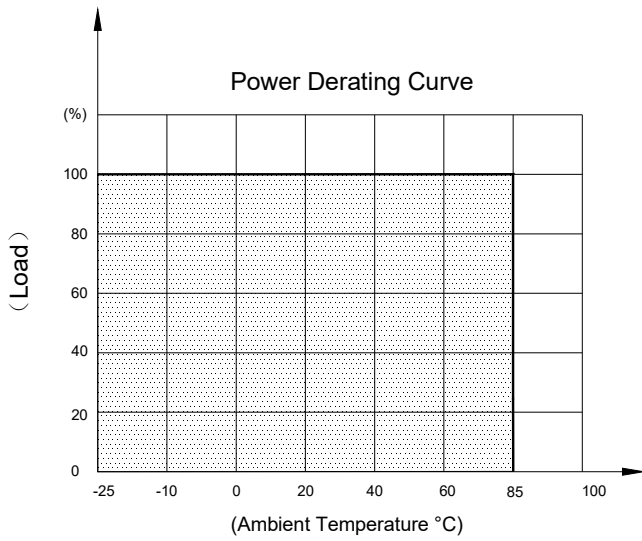
MODEL LIST (型号列表)

Model No.	Output Power	DC Voltage	Rated Current	Efficiency 230VAC, % Typ.	Ripple& Noise (max)	Ambient TEMP(°C)	Weight	Certificate	
								UL	TUV
HP01S0500WI-X	1W	5Vdc	200mA	63%	250mVp-p	85	20g	●	●
HP01S0600WI-X	1W	6Vdc	166mA	63%	240mVp-p	85	20g	●	●
HP01S0700WI-X	1W	7.5Vdc	133mA	63%	300mVp-p	85	20g	●	●
HP01S0800WI-X	1W	8Vdc	125mA	63%	240mVp-p	85	20g	●	●
HP01S0900WI-X	1W	9Vdc	111mA	63%	270mVp-p	85	20g	●	●
HP01S1000WI-X	1W	10Vdc	100mA	63%	300mVp-p	85	20g	●	●
HP01S1200WI-X	1W	12Vdc	83mA	63%	240mVp-p	85	20g	●	●
HP01S1500WI-X	1W	15Vdc	66mA	63%	300mVp-p	85	20g	●	●
HP01S1800WI-X	1W	18Vdc	55mA	63%	360mVp-p	85	20g	●	●

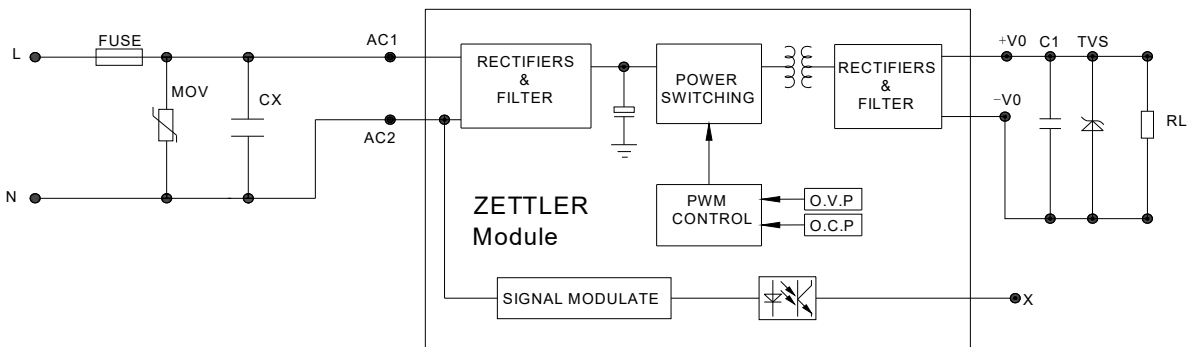
ELECTRICAL SPECIFICATION (电性能参数)

Model No. / 型号		HP01SXX00WI-X		
Input 输入参数	Rated Voltage / 额定电压	100-277VAC		
	Voltage Range / 输入电压范围	85-305VAC or 100-430VDC		
	Frequency (Hz) / 输入频率范围	47-63 Hz		
	Current (Full load) / 输入电流	115VAC	230VAC	277VAC
		25mA	18mA	15mA
	Inrush Current (<500us) / 冲击电流	15A	25A	
	No Load Loss / 待机功耗	0.3W Max@230VAC		
HOT PLUG / 热拔插	Unavailable			
Output 输出参数	Voltage (V) / 输出电压	Refer to "Model List"		
	Current (mA) max. / 输出额定电流	Refer to "Model List"		
	Voltage Accuracy / 输出电压精度	0-10%: ±7% / 10%-100% : ±5%		
	Line Regulation / 线性调节率	±2%		
	Load Regulation / 负载调节率	±3%		
	Minimum Load (mA) / 最小负载	0		
	Ripple & Noise / 输出纹波	Refer to "Model List"		
	Efficiency (typ.) / 工作效率	Refer to "Model List"		
	Set-up Time / 开机时间	≤50ms/230VAC, ≤30ms/115VAC		
	Hold up Time / 掉电保持时间(典型值)	>40ms/230VAC, 12ms/115VAC		
	X Pin / 过零	3.3V P-P Pulse phase shift compare to input rise T1: 500us, Drop T2: 500us		
Phase shift @ Where		AC=0, Pulse rising edge shift (T1)		
		AC=0, Pulse dropping edge shift (T2)		
Protection 保护特性	Over Current Protection / 过流保护	≥120%Io Self-recovery		
	Short Circuit Protection / 短路保护	Hiccup ,continuous ,short capable, self-recovery		
Environment 环境	Operating Temperature / 工作温度	-25°C...+85°C @Free air convection		
	Operating Humidity / 工作湿度	10-90% RH		
	Storage Temperature / 存储温度	-40°C...+105°C		
	Storage Humidity / 存储湿度	5-95% RH		
	Temperature Coefficient/温度漂移系数	±0.03%/°C (0~85°C)		
Physical 外观结构	Case Material / 外壳材质	Plastic (UL 94V-0 rated)		
	Weight / 产品净重	20g (ref.)		
Safety & EMC 安全认证及 电磁兼容	Dielectric Strength / 绝缘强度	I/P-O/P : 3000VAC		
	Protection against electric shock	Class II construction <input type="checkbox"/>		
	Safety Standards / 安全标准	Compliance With UL/EN62368-1		
	EMI / 电磁兼容	Compliance With EN55032, CLASS B EN61000-3-2, EN61000-3-3	Need to add external EMC component (Refer to the Schematic)	
	EMS (Noise Immunity)/ 电磁抗干扰	Compliance With EN55035		
Reliability Requirement 可靠性要求	MTBF/平均故障间隔时间	1000Khrs Min MIL-HDBK-217F (25°C)		
	Burn-In Test/ 老化测试	The unit shall be burned in for 2~4 Hours under 277Vac input and with full load at 25°C		

PRODUCT CHARACTERISTIC CURVE (产品特性曲线)



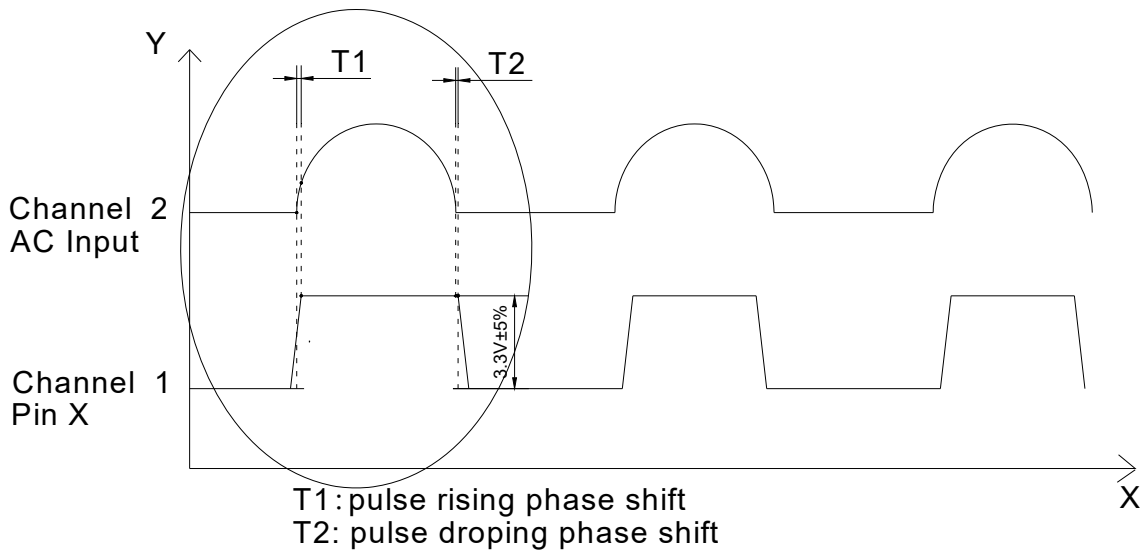
TYPICAL APPLICATION SCHEMATIC (典型应用电路)



ITEM	MOV	FUSE	CX
1~2W	14D561K	1A/300V	104pF/275V
3-10W	14D561K	2A/300V	0.1-0.47uF
10~20W	14D561K	3.15A/300V	0.1-0.47uF

Note: External circuit components are only recommendations, customers should choose their own components and values according to their specific system application requirements.

PHASE SHIFT (过零检测)



MECHANICAL SPECIFICATION (尺寸图)

