

AZDC6

12.5 AMP MINIATURE POWER RELAY

FEATURES:

- 12.5 Amp 600VDC switching
- Compact Size: 33.9x30.6x16mm
- cCSAus : 70204935

Application:

- PV power generation systems
- Battery charge and discharge
- Inverter control, DC load control etc.



CONTACTS

Arrangement	DPST (2 Form A) / SPST (1 Form A)
Ratings	Resistive load: Max. switched power: 7500W Max. switched current: 12.5A Max. switched voltage: 600VDC Max. continuous current: 12.5A
Rated Load CSA	1A at 500VDC, Res., 40k cycles, 90°C 12.5A at 600VDC, Res., 6k cycles, 90°C
Material	Ag alloy
Resistance	< 100 mΩ initially (at 6V, 1A, voltage drop method)

GENERAL DATA

Life Expectancy Mechanical Electrical	Minimum operations 100,000 cycles Min. 6k cycles @12.5A 600VDC Res. 40k cycles @1A 500VDC Res.
Operate Time	30ms Max. at nominal coil voltage
Release Time	10 ms Max. at nominal coil voltage (with no coil suppression)
Dielectric Strength (at sea level for 1min.)	4000 Vrms (coil to contacts) 2000 Vrms (between open contacts) 2000 Vrms (between contacts sets)
Surge Voltage	6 kV @1.2/50μs (coil to contacts)
Insulation Resistance	1,000 MΩ min. at 20°C 500VDC 50% RH
Holding voltage	Greater than 40% of nominal coil voltage
Dropout	Greater than 5% of nominal coil voltage
Ambient conditions Temperature Operating Humidity	-40°C(-40°F) to 90°C(194°F) 5 %-85 %
Vibration	1.5mm DA at 10-55 Hz
Shock	10g
Enclosure	P.B.T, Polyester
Terminals	Tinned copper alloy, P.C.
Max. Solder Temp.	270°C(518°F)
Max. solder time	5 seconds
Weight	30 g

COIL

Power At Rated Voltage Max. Continuous Dissipation Temperature Rise	1400 mW (typical) 1.7 W at 20°C(68°F) ambient 70°C Max. at Rated voltage, 85°C
Temperature	Max. 155°C(311°F) class F

NOTES

- 1.All values at 20°C(68°F)
- 2.Relay may pull in with less than "Must Operate" value
- 3.Specifications subject to change without notice.

ZETTLER RELAY (XIAMEN) CO., LTD. www.zettlercn.com

5F,No.6 , Xinjin Road , Xinyang Industrial Zone, Haicang District, Xiamen Tel:(0592)2631020 Fax:(0592)2631599

AZDC6

RELAY ORDERING DATA

COIL SPECIFICATIONS					ORDER NUMBER
Nominal Coil VDC	Must Operate VDC	Min. holding VDC	Max. Continuous VDC	Coil Resistance $\Omega \pm 10\%$	
5	3.75	2	5	18	AZDC6-2AE-5D
9	6.75	3.6	9	58	AZDC6-2AE-9D
12	9	4.8	12	103	AZDC6-2AE-12D
24	18	9.6	24	410	AZDC6-2AE-24D
48	36	19.2	48	1650	AZDC6-2AE-48D

*All values at 20°C

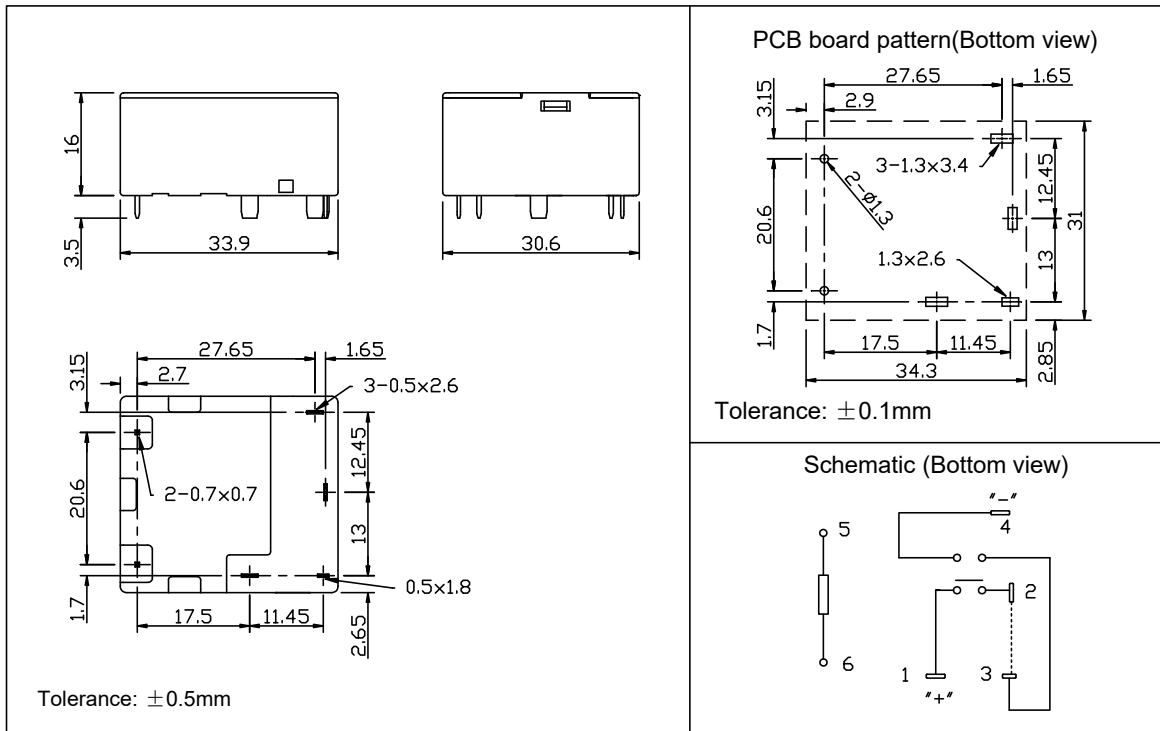
NOMENCLATURE

AZDC6 - 2A E - 12D (000)
 I II III IV V

I. Basic series designation
 II. Contact Configuration
 III. Contact material
 IV. Coil Voltage
 V. Special client code

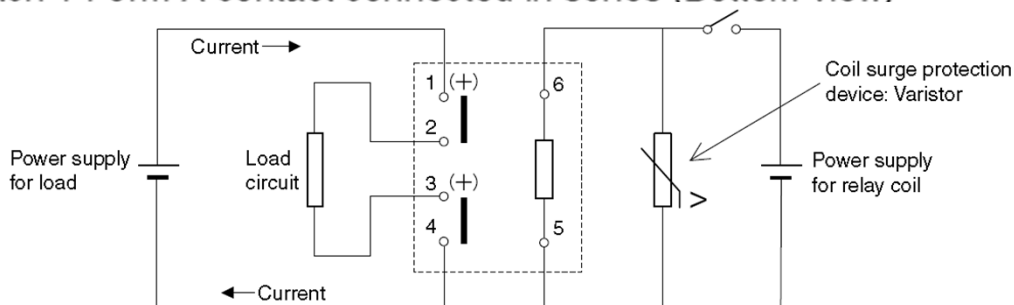
AZDC6
 2A: 2 form A
 E: Ag alloy
 5, 9, 12, 24, 48VDC
 Additional numbers or letters, which does not designate construction features or ratings

MECHANICAL DATA



Recommended circuit

Each 1 Form A contact connected in series (Bottom view)



ZETTLER RELAY (XIAMEN) CO., LTD. www.zettlercn.com

5F, No.6, Xinjin Road, Xinyang Industrial Zone, Haicang District, Xiamen Tel: (0592) 2631020 Fax: (0592) 2631599