



TUV Pending



ORDERING CODE

Example:

ZP=Zettler standard series

AP=Customized series

HP=High Performance series

DP=DC-DC

Total Output Power (W)

Example:

03=3W

20=20W

Output Type

S=Single Output

D=Dual Output

T=Triple Output

First Output Voltage

05=5V, 12=12V

Second Output Voltage

06=6V, 12=12V

00= No Second Output

Input AC Voltage Range

W=Wide Voltage Input

H=High Voltage Input ($\geq 165\text{VAC}$)

L=Low Voltage Input ($< 165\text{VAC}$)

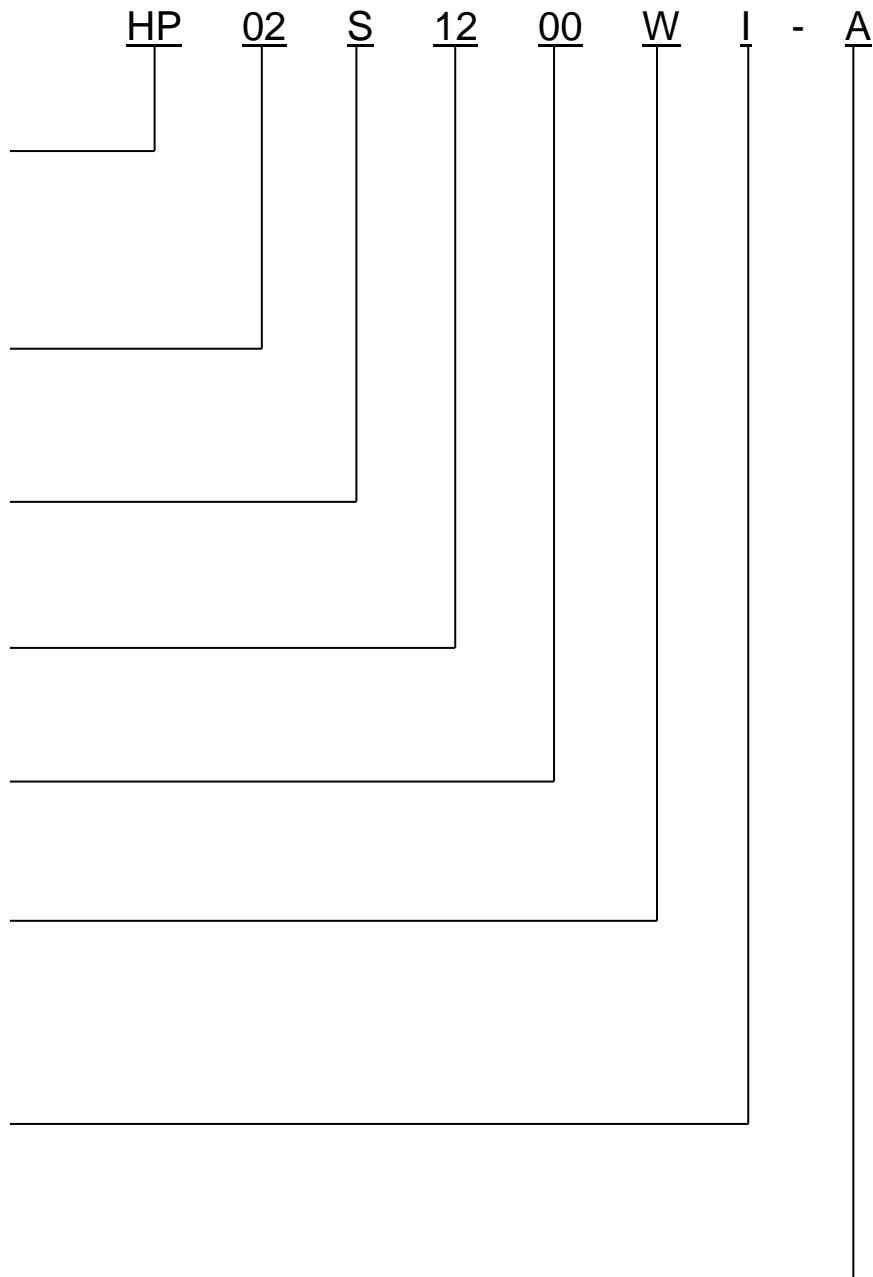
Additional Case Type

Example

A: A Type case

B: B Type case...

Example: serial number



FEATURES

- PCB mounted switching Power module
- AC input voltage range: 85VAC~305VAC
- DC input voltage range: 100VDC~430VDC
- Ambient temperature range:-25℃~85℃
- Storage temperature range:-40℃~105℃
- Leakage current (input :305VAC):<0.25mA
- Isolation voltage: input –Output≥3000Vac 60S
- Insulation Resistance: Input –Output 500VDC≥100M Ohms
- MTBF(at 25℃ 70%RH environment):>1000000hrs
- Compact size, easy installation
- High efficiency Low standby power consumption<0.15W, environment-friendly
- Built-in output overcurrent protection, over-voltage protection, short circuit protection
- Built-in EMI filter components, comply with the EN55022 class B standard
- Insulation: class II

APPLICATIONS

This series could be widely applied in the LED, light control, Instrument, smart home and other home appliances.

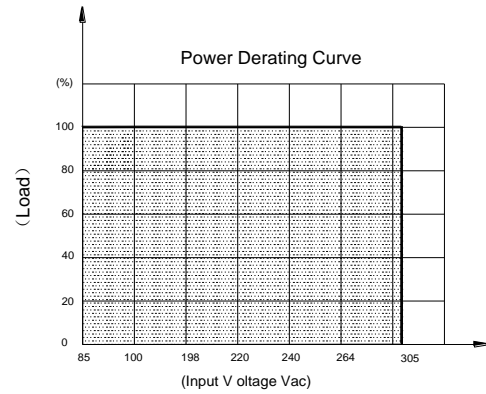
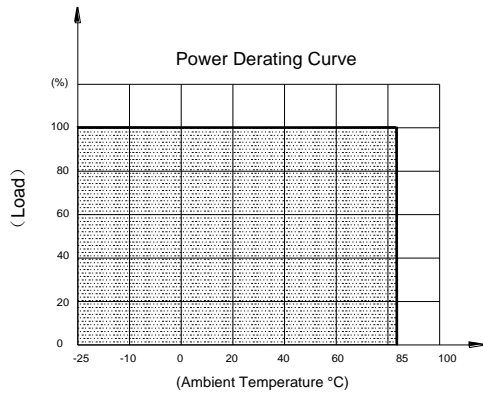
MODEL LIST

Part No.	Output Power	DC Voltage	Rated Current	Efficiency 230VAC, % Typ.	Ripple&Noise (max)	Ambient TEMP(℃)	Weight	Certificate
								UL
HP02S0300WI-A	2W	3.3Vdc	600mA	66%	150mVp-p	85	20.8g	●
HP02S0500WI-A	2W	5 Vdc	400mA	70%	150mVp-p	85	20.8g	●
HP02S0600WI-A	2W	6 Vdc	333mA	70%	150mVp-p	85	20.8g	●
HP02S0700WI-A	2W	7.5Vdc	266mA	72%	150mVp-p	85	20.8g	●
HP02S0800WI-A	2W	8Vdc	250mA	72%	150mVp-p	85	20.8g	●
HP02S900WI-A	2W	9Vdc	222mA	72%	150mVp-p	85	20.8g	●
HP02S1000WI-A	2W	10Vdc	200mA	72%	150mVp-p	85	20.8g	●
HP02S1200WI-A	2W	12Vdc	167mA	74%	150mVp-p	85	20.8g	●
HP02S1500WI-A	2W	15Vdc	133mA	75%	200mVp-p	85	20.8g	●
HP02S1800WI-A	2W	18Vdc	111mA	75%	200mVp-p	85	20.8g	●
HP02S2400WI-A	2W	24Vdc	83mA	77%	200mVp-p	85	20.8g	●

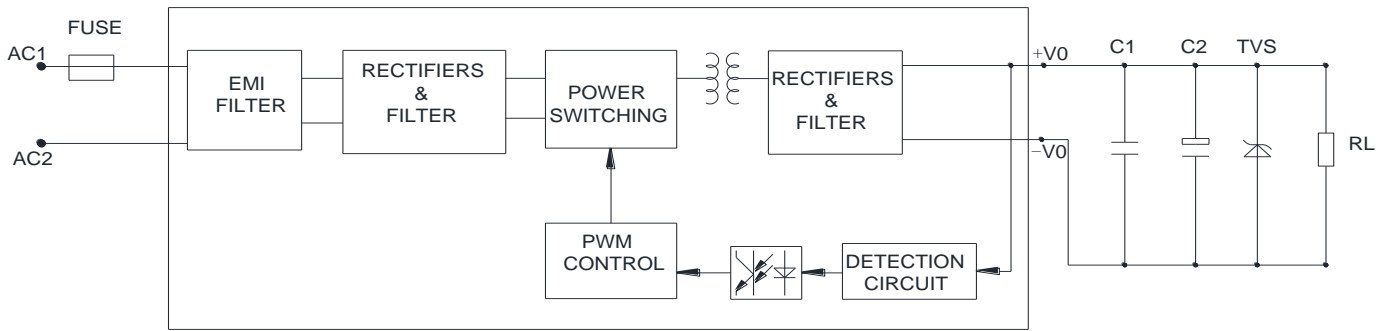
ELECTRICAL SPECIFICATION

Item		Specification		
Input	Input Voltage Range	85~305Vac or 100~430Vdc		
	AC Input Frequency Range	47~63Hz		
	Input Current	115Vac	230Vac	277Vac
		45mA	30mA	25mA
	Inrush Current	115Vac	230Vac	
		6A	10A	
	Stand-by Power Consumption	0.15W Max		
	Recommended External Input Fuse	1A/350V (Time lag)		
Hot Plug	(Unavailable)			
Output	Output Voltage Accuracy	±3% (Typ.)		
	Line Regulation	±0.5%		
	Load Regulation	±0.5%		
	Temperature Drift Factor	±0.03%/°C (0-85°C)		
	Min. Load	0		
	Set-Up time	≤100ms/230Vac, ≤150ms/115Vac		
	Hold-up Time	>40ms/230Vac, 12ms/115Vac		
Protection Characteristics	Over-Circuit Protection	≥120%Io Self-recovery		
	Short Circuit Protection	Hiccup ,continuous ,short capable, self-recovery		
Ambient	Ambient Temperature	- 25°C ~ 85°C (Refer to derating curve)		
	Ambient Humidity	10~90% RH (No Condensing) at full load		
	Storage Temperature	- 40°C ~ 105°C		
	Storage Humidity	5%~95%		
Safety &EMC requirement	Dielectric Strength	Input-Output ≥3000Vac 5mA 60S		
	Reference Safety Standards	UL/CUL60920 IEC/EN60950 IEC/EN60335 IEC/EN61558-2-16		
	EMI Built-in EMI filter	CE	Meet CISPR22/EN55022, CLASS B	
		RE	Meet CISPR22/EN55022, CLASS B	
Reliability Requirement	MTBF(MIL-HDBK-217F)	1000Khrs Min @230VAC input 25°C		
	Burn-In Test	The unit shall be burned in for 2~5 hours under 264Vac input and DC with full load at normal temperature		

PRODUCT CHARACTERISTIC CURVE



TYPICAL APPLICATION SCHEMATIC



Note; The power supply is considered a component which will be installed into a final equipment. The final equipment must be re-confirmed that it still meet EMC directives.

Optional recommendations on external components:

C1 from output filter is electrolytic capacitor, High frequency low resistance capacitance is recommended; withstand voltage derating over 80%.

C2 from output filter is ceramic capacitor, to remove high frequency noise.

TVS from output filter is to protect the rear circuit.

Fuse from input filter is to meet safety requirement. Type: 1A/350V Slow-Blow

MECHANICAL SPECIFICATION

